

# 370W

□100mm



## 電機特性

List of motor characteristics

電機型號 Motor model	規格 Specs	輸出功率 Output Power W	電源電壓 Voltage V	頻率 Frequency Hz	電流 Current A	起動扭矩 Starting Torque		額定扭矩 Rated Torque		額定轉速 Rated Revolution r/min	電容量/耐壓 Capacity/Ve μF/VAC
						mN.m	gf.cm	mN.m	gf.cm		
6IK370GU-CF 6IK370A-CF	感應 Induction	370	單相 1-phase 220	50	2.3	2944	29440	2560	25660	1350	15/450
60				2.1	2622	26220	2280	22880	1550	15/450	
6RK370GU-CF 6RK370A-CF	可逆 Reversible			50	2.3	2944	29440	2560	25660	1350	15/450
60				2.1	2622	26220	2280	22880	1550	15/450	
6IK370GU-AF 6IK370A-AF	感應 Induction	370	單相 1-phase 110	50	3.0	2944	29440	2560	25660	1350	32/250
60				2.8	2622	26220	2280	22880	1550	30/250	
6RK370GU-AF 6RK370A-AF	可逆 Reversible			50	3.0	2944	29440	2560	25660	1350	40/250
60				2.8	2622	26220	2280	22880	1550	36/250	
6IK370GU-UF 6IK370A-UF	—	370	三相 3-phase 380	50	1.4	3018	30180	2624	26240	1350	—
60				1.2	2680	26800	2330	23300	1550	—	
6RK370GU-SF 6RK370A-SF	—	370	三相 3-phase 220	50	2.5	3018	30180	2624	26240	1350	—
60				2.0	2680	26800	2330	23300	1550	—	

- 上表參數是指電機單體，不附加任何負荷裝置。
- 電機額定轉速、額定電流允許在±5%範圍內變動。

- Parameters in above table refer to motor alone, without any load device.
- Permissible change in rated speed and rated current of the motor is within the range of ±5%.

## 減速電機允許負載

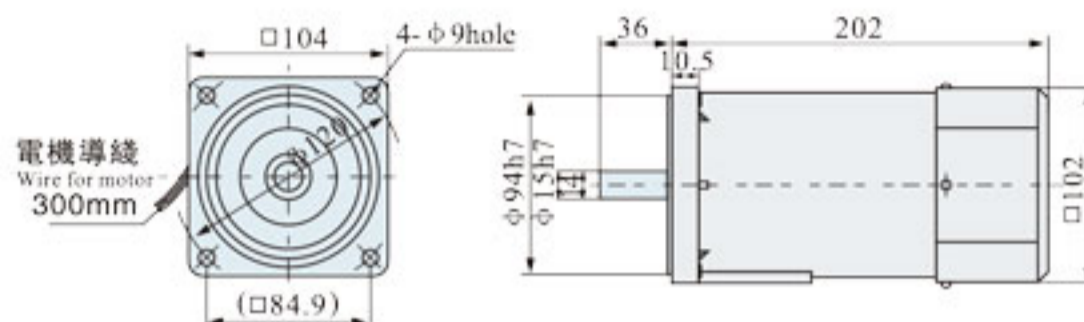
Allowable load for the gear motor

減速參數 Geared-down parameter	同步轉速r/mn Synchronous speed		500	300	200	150	120	100	85	75	60	50	40	37	30	25	20	15	12	10	8	7	6
	減速比i ratio		3	5	7.5	10	12.5	15	18	20	25	30	36	40	50	60	75	100	120	150	180	200	250
最大允許負載 Max allowable load	370W	kg.cm N.m	62.2 6.22	106 10.4	142 14.0	190 18.6	238 23.3	285 28	342 33.6	381 37.3													

### 圓軸型

Circular shaft type

6IK370A-AF	6RK370A-AF
6IK370A-CF	6RK370A-CF
6IK370A-YF	6RK370A-YF



結構：電動機 Structure: Electric motor  
重量：5kg Weight: 5kg

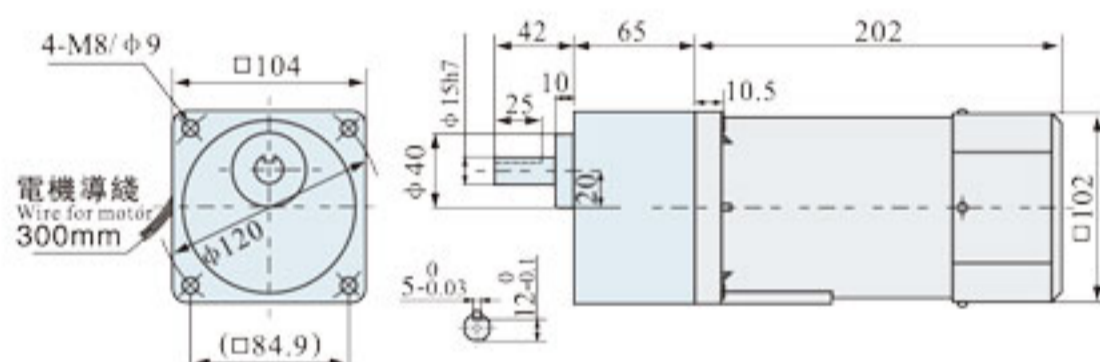
### 定速型

Optical axis type

### 齒輪品名

Name of Gear 6GU□K

6IK370CU-AF	6RK370CU-AF
6IK370GU-CF	6RK370GU-CF
6IK370GU-YF	6RK370GU-YF



結構：減速器+電動機 Structure: Reducer+Electric motor  
重量：6.6kg Weight: 6.6kg  
減速比：1:3-1:250 Speed Reducing Ratio : 1:3-1:250

Structure: Reducer+Electric motor  
Weight: 6.6kg  
Speed Reducing Ratio : 1:3-1:250

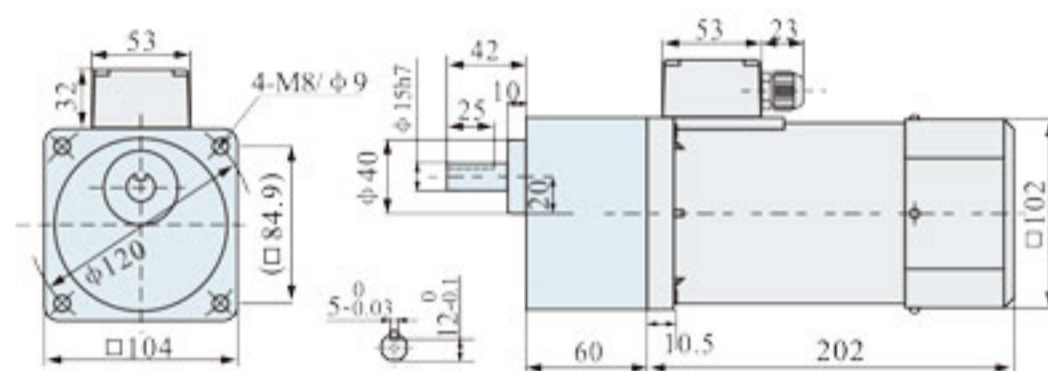
### 帶端子箱型

With terminal box type

### 齒輪品名

Name of Gear 6GU□K

6IK370CU-AFT	6RK370CU-AFT
6IK370GU-CFT	6RK370GU-CFT
6IK370GU-U(Y)YF	6RK370GU-U(Y)YF
6IK370GU-SFT	6RK370GU-SFT



結構：減速器+電動機+端子箱 Structure: Reducer+Electric motor+Terminal box  
重量：6.7kg Weight: 6.7kg  
減速比：1:3-1:250 Speed Reducing Ratio : 1:3-1:250

Structure: Reducer+Electric motor+Terminal box  
Weight: 6.7kg  
Speed Reducing Ratio : 1:3-1:250

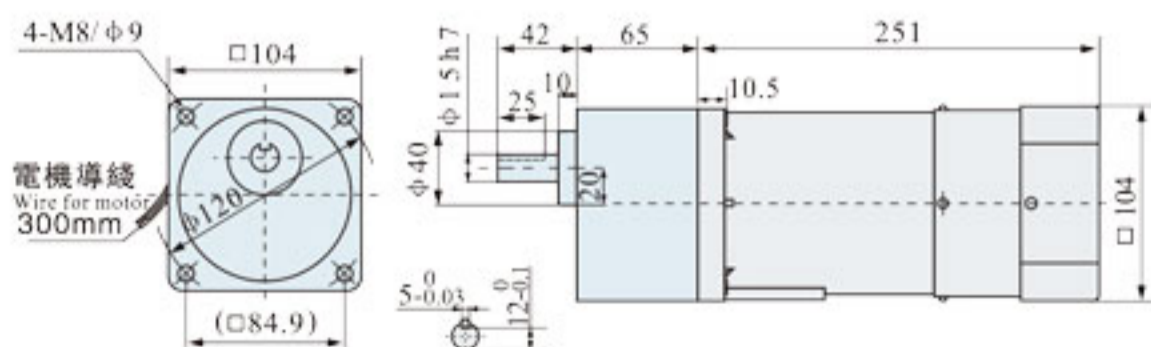
### 剎車定速型

Brake Optical axis type

### 齒輪品名

Name of Gear 6GU□K

6IK370CU-AFM	6RK370CU-AFM
6IK370GU-CFM	6RK370GU-CFM
6IK370GU-YFM	6RK370GU-YFM



結構：減速器+電動機+剎車器 Structure: Reducer+Electric motor+Brake  
重量：7kg Weight: 7kg  
減速比：1:3-1:250 Speed Reducing Ratio : 1:3-1:250

Structure: Reducer+Electric motor+Brake  
Weight: 7kg  
Speed Reducing Ratio : 1:3-1:250

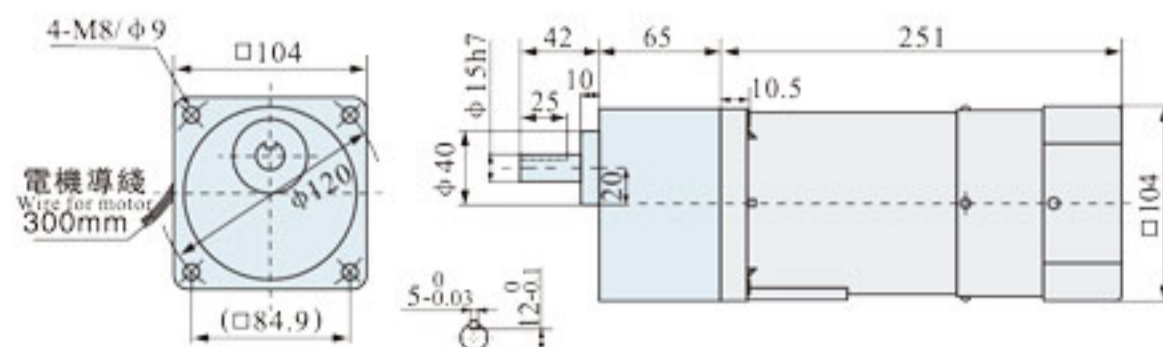
### 剎車調速型

Brake Speed regulation type

### 齒輪品名

Name of Gear 6GU□K

6IK370RCU-AFM	6RK370RCU-AFM
6IK370RGU-CFM	6RK370RGU-CFM



結構：減速器+電動機+剎車器+調速器 Structure: Reducer+Electric motor+Brake+Speed governor  
重量：7.1kg Weight: 7.1kg  
減速比：1:3-1:250 Speed Reducing Ratio : 1:3-1:250

Structure: Reducer+Electric motor+Brake+Speed governor  
Weight: 7.1kg  
Speed Reducing Ratio : 1:3-1:250